



Ready to go with what you can rely on!

Primary Features

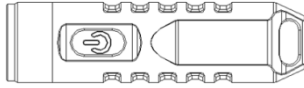
- Ultra compact size easy to carry for various applications
- Electronic side switch for easy one-hand operation
- High CRI (90+, Nichia), max 550 lumens (CREE)
- Powered by 130mAh Li-polymer rechargeable battery
- Built-in Micro USB charging port with indicator
- Quick charge in 45 minutes
- Low battery indicator
- Temperature controller to protect the core components and the user
- Clip slots design and a two-way clip included
- IP65 water resistance

Dimensions

Length: 53.9mm

Diameter: 14.5mm

Weight: A1: 11.8g / A2: 28g / A3: 14g / A4: 18.8g (Battery included)



Nichia version available for A3 & A4 only

Accessories: Lanyard, user manual, stainless steel clip, USB cable

Battery specifications

Polymer Li-ion battery	Dimensions	Standard voltage	Capacity
Rechargeable	501030	4.2 V	130 mAh

Product Parameters

LED:

1. **CREE: XP-G3 S5 6500K**
2. **Nichia: 219C R9050 4500K CRI 90+**

Mode Specification	LED	Low	High	Med	Strobe
	CREE	22 Lm	550 Lm	230 Lm	550Lm
	NICHIA	12 Lm	350 Lm	170 Lm	/
	CREE	150 Minutes	38 Minutes	55 Minutes	/
	NICHIA	190 Minutes	30 Minutes	50 Minutes	/
	CREE	980 cd			
	NICHIA	650cd			
	CREE	80m			
	NICHIA	60m			
		1.5m			
		IP65 water resistance			

Note: The above mentioned parameters are approximate and may vary between flashlight and environments.

Aurora Series User Manual

Patent number: ZL 2017 3 0661982. 3

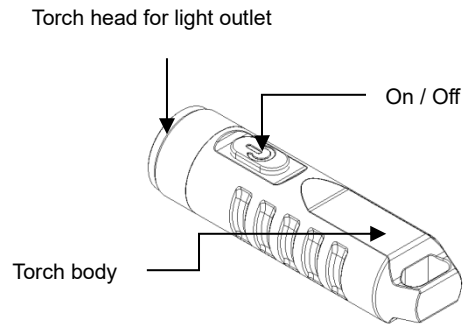
User Interface

Operation/LED	CREE	Nichia
Momentary ON	/	Press and hold
Constant On	Long press for 0.5s	Double click
Cycle through (Click)	Low-High-Med-Strobe	Low-Med-High-Strobe
Turn off	Long press for 0.3s	Long press for 0.5s
	Work at any mode over 60s then click	

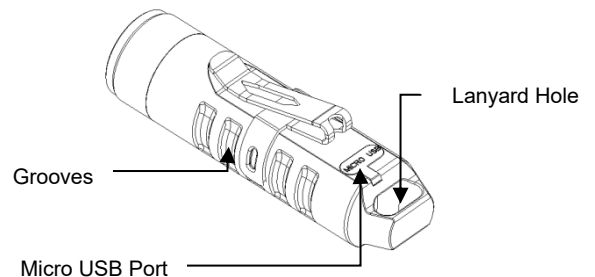
* Note:

1. The output will step down to 65 lumens in 2 minutes working on High mode due to the heat the high mode produced, and the output will be adjusted real time by the temperature controller.
2. 3 clicks from off to access the hidden ultra low mode (Nichia version).

Product Illustration



Front View



Back View

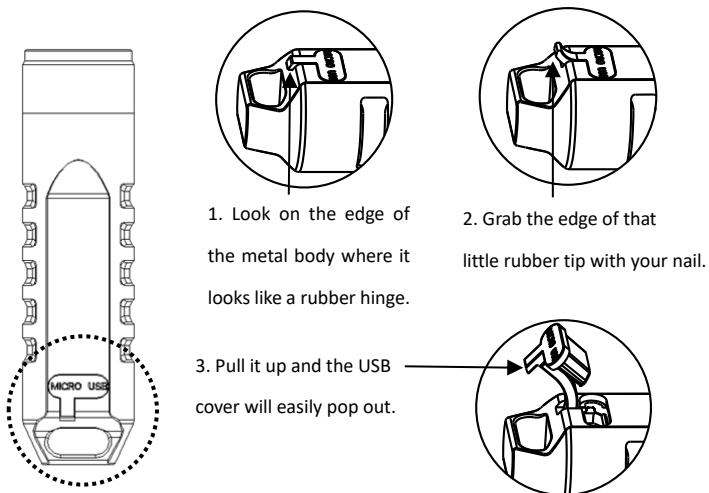


Ready to go with what you can rely on!

Micro USB Charging Instructions

- Open the Micro USB cover and connect a cable to charge as shown in the diagram below
- Charging indicator: Red is charging, Blue is fully charged
- Charging time: 45 minutes (350 mA / 5V)
- When the battery voltage is lower than 2.6V, the indicator will be , constantly on reminding to charge the light
- When the battery voltage is lower than 2.4V the light will stop working

How to open the Micro USB cover



Battery Replacement

The battery can only be replaced by a professional technician.

Warning!

- Do not look directly into the light when it is switched on.
- Do not point the light at human or animal eyes.
- Do not permit children to use the flashlight unsupervised.

Warranty Service

- Two year international warranty.
- After the free maintenance period has expired, the maintenance service will charge for material expense only, free of labor expenses.

Runfree Equipment Technology (Hong Kong) Co., Limited

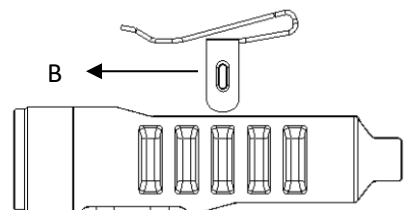
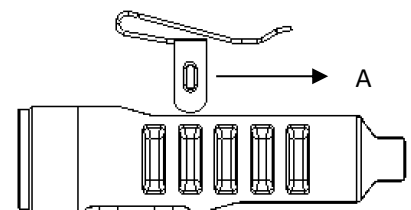
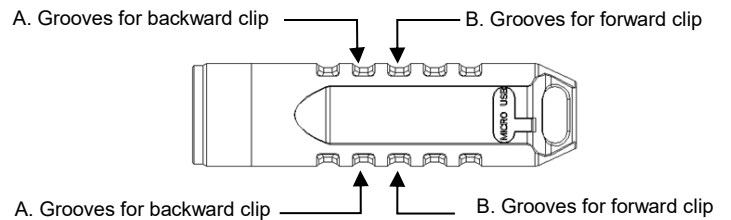
Website: www.rovyvon.com

E-mail: info@rovyvon.com

Address: UNIT 04, 7/F, BRIGHT WAY TOWER, NO. 33 MONG KOK ROAD, KOWLOON, HONGKONG.

Clip Instructions

The clip could be attached in the forward or backward position as your preference



Note:

1. It is recommended to clip the torch at the designated grooves to avoid the risks of no inaccessibility to the USB port or insecure grip.
2. Please fully recharge the flashlight first before you use it
3. This manual is for Aurora AX series,

